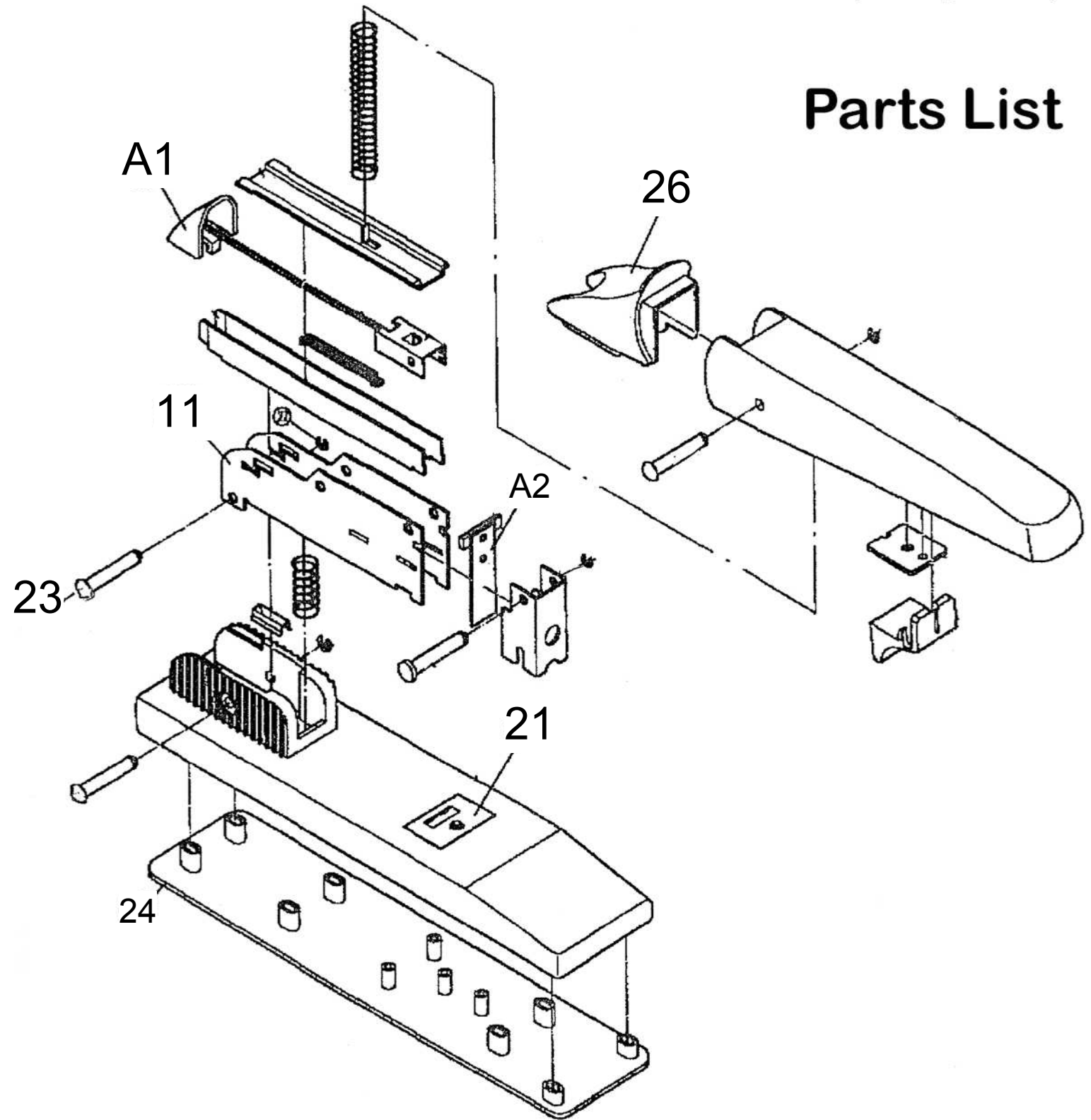


Apexon SP510 Heavy Duty Stapler

(formally AS510)

Parts List



| Item No. | Part No | Description |
|----------|---------|----------------------|
| A1 | AS510A1 | Pusher Assembly |
| A2 | AS510A2 | Driver Assembly |
| 11 | AS51011 | Magazine core |
| 21 | AS51021 | Clincher |
| 23 | AS51023 | Pin, Magazine |
| 24 | AS51024 | Rubber foot |
| 26 | AS51026 | Cover, Pusher Spring |